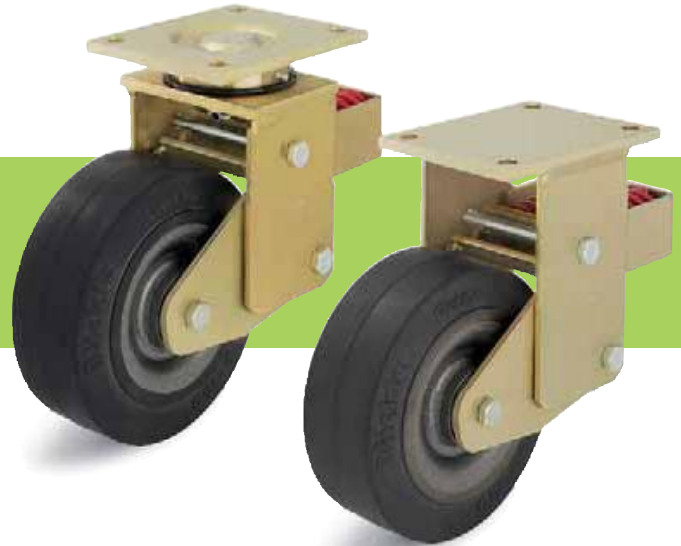


Series: LSFN-SE, BSFN-SE

Spring-loaded welded steel heavy duty swivel and fixed castors, extra strong swivel head design

400 - 900 kg



Swivel castors

Fixed castors

Brackets: LSFN/BSFN Series - Very rugged welded steel construction, swivel bracket with axial grooved ball bearing DIN 711 and tapered roller bearing DIN 720 in the swivel head, dust and splash-proof, fitted grease nipple, welded very strong, bolted and secured central kingpin, very strong fork, spring-hinged plate and spring assembly design, maintenance-free spring-hinged plate bearing, bolted wheel axle.

Wheel Ø 160-250: Zinc-plated - yellow passivated.

Wheel Ø 300: Lacquered - colour silver.

Top plate drawings: Page 71 and 72.

Detailed description: Page 65.

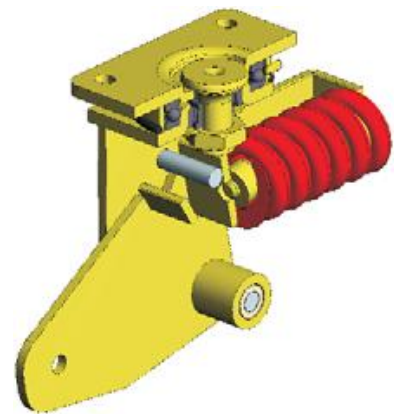
Wheels: SE Series - Tyres: Elastic solid rubber, smooth rolling quality, colour black, 65° shore A, vulcanised, non-detachable connection, low rolling resistance. Wheel centres: Strong welded steel construction with double-welded tubular steel hub, ball bearing. Lacquered - colour anthracite.

This special Blickle wheel centre construction is characterised by its particularly high stability as well as its elegant and smooth design.

Detailed description: Page 168 and 37.

Ref. No.	Ref. No.	Wheel Ø [mm]	Tyre width [mm]	Load capacity [kg]	Spring tension [kg]	Initial tension [kg]	Spring travel [mm]	Total height [mm]	Plate size [mm]	Bolt hole spacing [mm]	Bolt hole Ø [mm]	Offset [mm]
LSFN-SE 160K	BSFN-SE 160K	160	50	400	400	50	25	245	140 x 110	105 x 75-80	11	100
LSFN-SE 200K	BSFN-SE 200K	200	50	500	400	50	25	265	140 x 110	105 x 75-80	11	100
LSFN-SE 202K	BSFN-SE 202K	200	80	700	570	75	25	275	175 x 140	140 x 105	14	100
LSFN-SE 250K	BSFN-SE 250K	250	60	700	570	75	25	315	175 x 140	140 x 105	14	120
LSFN-SE 252K	BSFN-SE 252K	250	80	850	750	100	25	315	175 x 140	140 x 105	14	120
LSFN-SE 300K	BSFN-SE 300K	300	75	900	850	100	45	395	200 x 160	160 x 120	14	120

Further information on the internet: www.blickle.de



20

Variants / Accessories

	With non-marking grey tyre	With directional lock
Technical description page	37	78
Ref. No. extension	-SG	
Available for wheel Ø [mm]	160 - 200	Upon request