

Series: LSFE-SE, BSFE-SE

Spring-loaded welded steel heavy duty swivel and fixed castors, extra strong swivel head design

400 - 850 kg



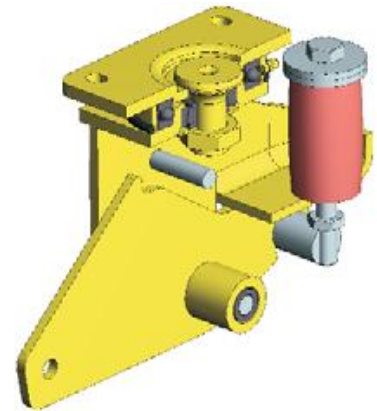
Swivel castors

Fixed castors

Brackets: LSFE/BSFE Series - Heavy welded steel construction, swivel bracket with axial grooved ball bearing DIN 711 and tapered roller bearing DIN 720 in the swivel head, dust and splash-proof, fitted grease nipple, welded very strong, bolted and secured central kingpin. Very strong fork, spring-hinged plate and elastomer spring element design. **The spring characteristics are adjustable by a simple elastomer spring replacement.** Maintenance-free spring-hinged plate bearing, bolted wheel axle, zinc-plated - yellow passivated. Top plate drawings: Page 71 and 72. Detailed description: Page 66.

Wheels: SE Series - Tyres: Elastic solid rubber, smooth rolling quality, colour black, 65° shore A, vulcanised, non-detachable connection, low rolling resistance. Wheel centres: Strong welded steel construction with double-welded tubular steel hub, ball bearing. Lacquered - colour anthracite. **This special Blickle wheel centre construction is characterised by its particularly high stability as well as its elegant and smooth design.** Detailed description: Page 168 and 37.

Ref. No.	Ref. No.	Wheel Ø [mm]	Tyre width [mm]	Load capacity [kg]	Spring tension [kg]	Initial tension [kg]	Spring travel [mm]	Total height [mm]	Plate size [mm]	Bolt hole spacing [mm]	Bolt hole Ø [mm]	Offset [mm]
LSFE-SE 160K	BSFE-SE 160K	160	50	400	300	50	25	245	140 x 110	105 x 75-80	11	100
LSFE-SE 200K	BSFE-SE 200K	200	50	500	500	50	25	265	140 x 110	105 x 75-80	11	100
LSFE-SE 202K	BSFE-SE 202K	200	80	700	700	100	25	275	175 x 140	140 x 105	14	100
LSFE-SE 250K	BSFE-SE 250K	250	50	700	700	100	25	315	175 x 140	140 x 105	14	120
LSFE-SE 252K	BSFE-SE 252K	250	80	850	700	100	25	315	175 x 140	140 x 105	14	120



Variants / Accessories

	With non-marking grey tyre	With "Radstop" wheel brake	With directional lock	Alternative spring tension
Technical description page	37	78	78	
Ref. No. extension	-SG	-RA		
Available for wheel Ø [mm]	160 - 200	Upon request	Upon request	Upon request

Further information on the internet: www.blickle.de