


Series: HPO, dimensions 80x61 - 82x79 mm  
**Nylon rollers for pallet trucks**

 600 - 800 kg



Made of high-quality nylon, colour natural white, high abrasion resistance, low rolling resistance, smooth running performance on even floors, shock and impact-resistant, corrosion-resistant, high chemical resistance to alcohol, salts, greases and certain acids and lyes in diluted concentration, ball bearing.  
Detailed description: Page 53.

**Rollers for pallet trucks**

Ref. No.	Wheel Ø (D) [mm]	Wheel width (T2) [mm]	Load capacity [kg]	Ball bearing	Axle bore Ø (d) [mm]	Clamping length (T5) [mm]
HPO 80x61/20-67K	80	60,5	600	6204 ZZV	20	66,5
HPO 80x70/20-76K	80	70	650	6204 ZZV	20	76
HPO 80x74/20-80K	80	74	700	6204 ZZV	20	80
HPO 82x54/20-54K	82	54	600	6204 ZZ	20	54
HPO 82x54/20-60K	82	54	600	6204 ZZV	20	60
HPO 82x60/20-60K	82	60	610	6204 ZZ	20	60
HPO 82x60/25-60K	82	60	610	6005 ZZ	25	60
HPO 82x62/20-65K	82	62	620	6204 ZZV	20	65
HPO 82x64/20-64K	82	64	650	6204 2RS	20	64
HPO 82x66/20-72K	82	66	675	6204 ZZV	20	72
HPO 82x68/20-74K	82	68	675	6204 ZZV	20	74
HPO 82x70/20-62K	82	70	700	6204 ZZ	20	62
HPO 82x70/20-70K	82	70	700	6204 ZZ	20	70
HPO 82x73/20-79K	82	72,5	700	6204 ZZV	20	78,5
HPO 82x75/20-75K	82	75	750	6204 ZZ	20	75
HPO 82x79/20-85K	82	79	800	6204 ZZV	20	85

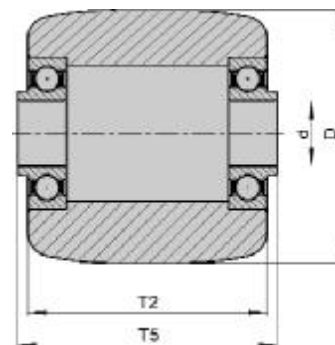
For further dimensions, refer to the following page.

**Variants / Accessories**




	With stainless steel ball bearing*	Further dimensions
Technical description page	57 + 53	
Ref. No. extension	-XK	
Available for wheel Ø [mm]	Upon request	Upon request

\* Caution! For reduced load capacities, refer to page 53.



Series: HPO, dimensions 82x80 - 85x100 mm  
**Nylon rollers for pallet trucks**

 650 - 1100 kg



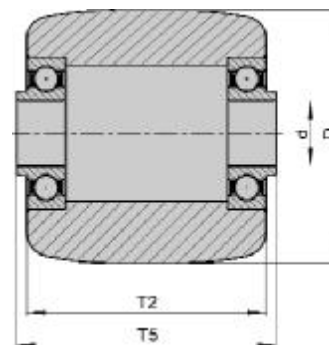
Made of high-quality nylon, colour natural white, high abrasion resistance, low rolling resistance, smooth running performance on even floors, shock and impact-resistant, corrosion-resistant, high chemical resistance to alcohol, salts, greases and certain acids and lyes in diluted concentration, ball bearing.  
Detailed description: Page 53.

**Rollers for pallet trucks**

Ref. No.	Wheel Ø (D) [mm]	Wheel width (T2) [mm]	Load capacity [kg]	Ball bearing	Axle bore Ø (d) [mm]	Clamping length (T5) [mm]
HPO 82x80/20-80K	82	80	800	6204 ZZ	20	80
HPO 82x84/20-84K	82	84	850	6204 ZZ	20	84
HPO 82x91/20-97K	82	91	900	6204 ZZV	20	97
HPO 82x93/20-93K	82	93	900	6204 ZZ	20	93
HPO 82x98/20-98K	82	98	975	6204 ZZ	20	98
HPO 82x98/20-98K-1	82	98	975	MIC 6005 2RS	20	98
HPO 82x100/20-100K	82	100	1000	6204 ZZ	20	100
HPO 85x80/17-60K	85	60	650	6303 ZZ	17	60
HPO 85x80/20-60K	85	60	650	6204 ZZ	20	60
HPO 85x75/17-78K	85	75	800	BT 22053	17	78
HPO 85x75/20-75K	85	75	800	6204 ZZ	20	75
HPO 85x90/20-90K	85	90	950	6204 ZZ	20	90
HPO 85x100/17-103K	85	100	1100	BT 22053	17	103
HPO 85x100/20-100K	85	100	1100	6204 ZZ	20	100

Further information on the internet: [www.blickle.de](http://www.blickle.de)

**Variants / Accessories**



21

	With stainless steel ball bearing*	Further dimensions
Technical description page	57 + 53	
Ref. No. extension	-XK	
Available for wheel Ø [mm]	Upon request	Upon request

\* Caution! For reduced load capacities, refer to page 53.